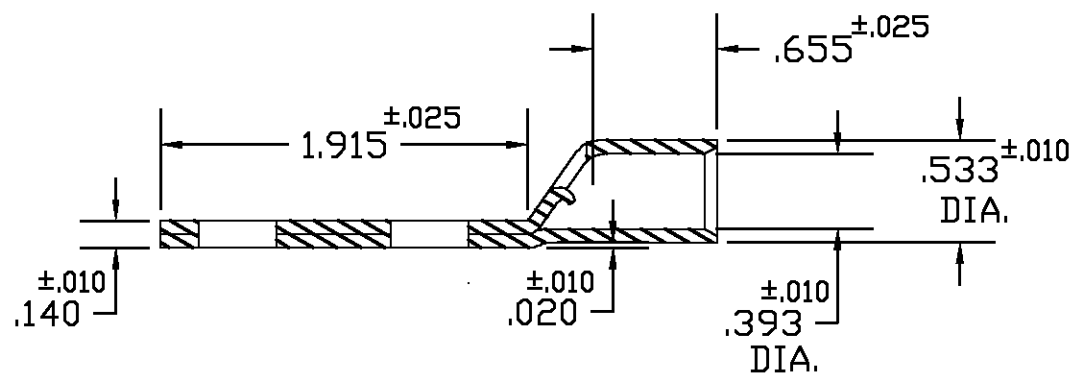
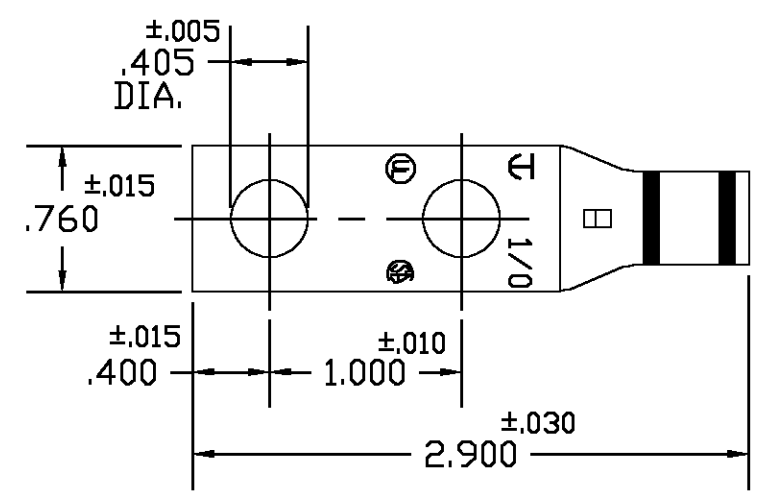


THIS DRAWING IS UNPUBLISHED. RELEASED FOR PUBLICATION
 © COPYRIGHT BY TYCO ELECTRONICS CORPORATION. ALL RIGHTS RESERVED.

LOC	DIST	REVISIONS					
		P	LTR	DESCRIPTION	DATE	DWN	APVD
G	50		A	REV PER 0G3H-0082-04	22MAR04	JR	MS



COLOR CODED PINK

ACTIVE	2-10387	STANDARD	COLOR CODED	1527285-3
STATUS	AET P/N	PACKAGING	FINISH	PART NUMBER

THIS DRAWING IS A CONTROLLED DOCUMENT.		DWN D.A.A 11/30/00	Tyco Electronics Corporation Harrisburg, PA 17105-3608		
DIMENSIONS: INCHES		CHK H.D.F 11/30/00			
		APVD H.D.F 11/30/00	NAME TUBULAR TERMINAL #1/0 STD. BARREL-2 HOLES		
MATERIAL COPPER ASTM B-75		FINISH -	PRODUCT SPEC -	APPLICATION SPEC -	RESTRICTED TO -
		WEIGHT -	SIZE A3	CAGE CODE 00779	DRAWING NO C-1527285
CUSTOMER DRAWING			SCALE 1:1	SHEET 1 OF 1	REV A